



www.Source1Parts.com

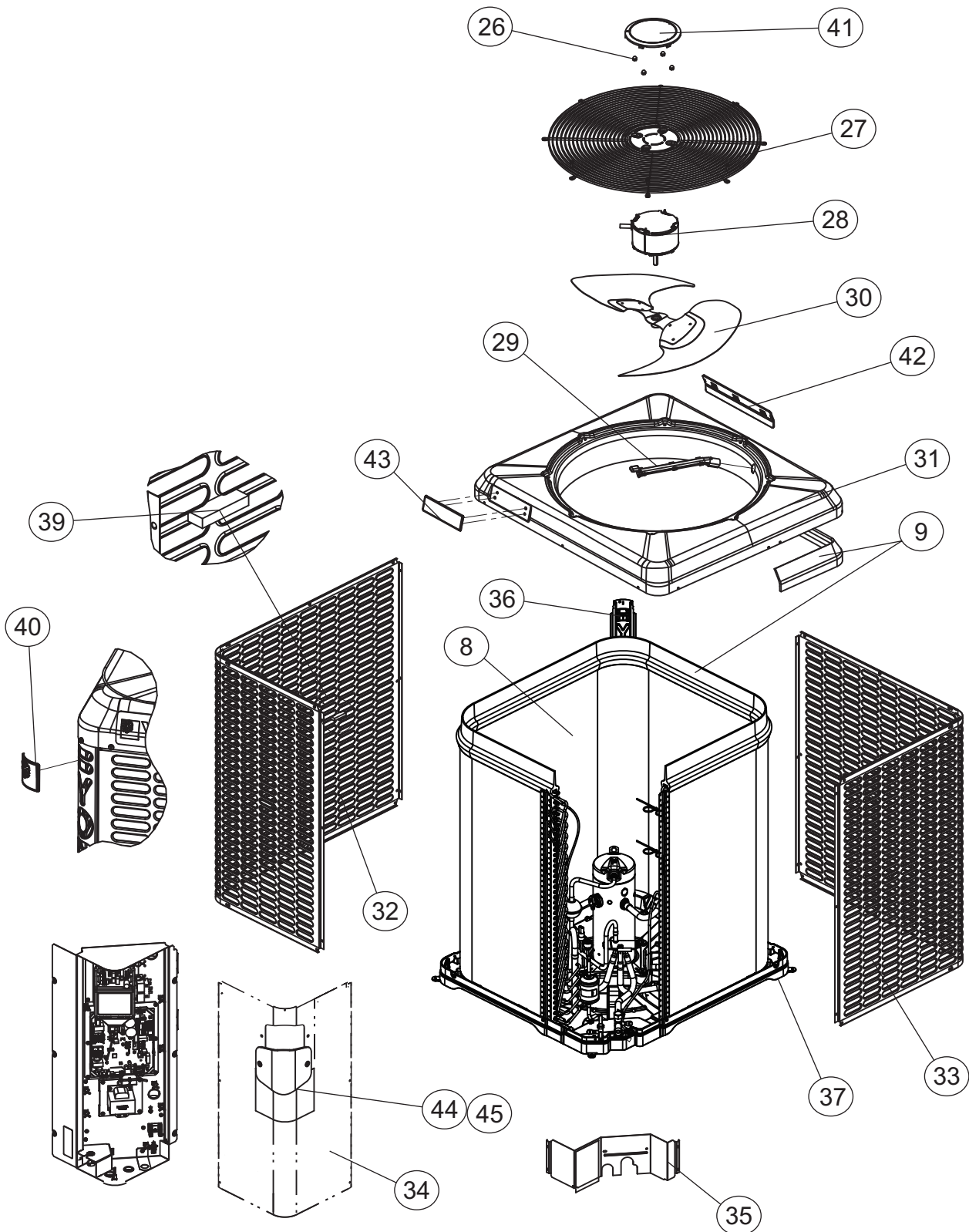
HVAC SERVICE PARTS

# YZV SERIES VARIABLE CAPACITY HEAT PUMP R-410A (STYLE A)

Supersedes: Nothing

035-26454-001 Rev. A (0417)

1 of 4



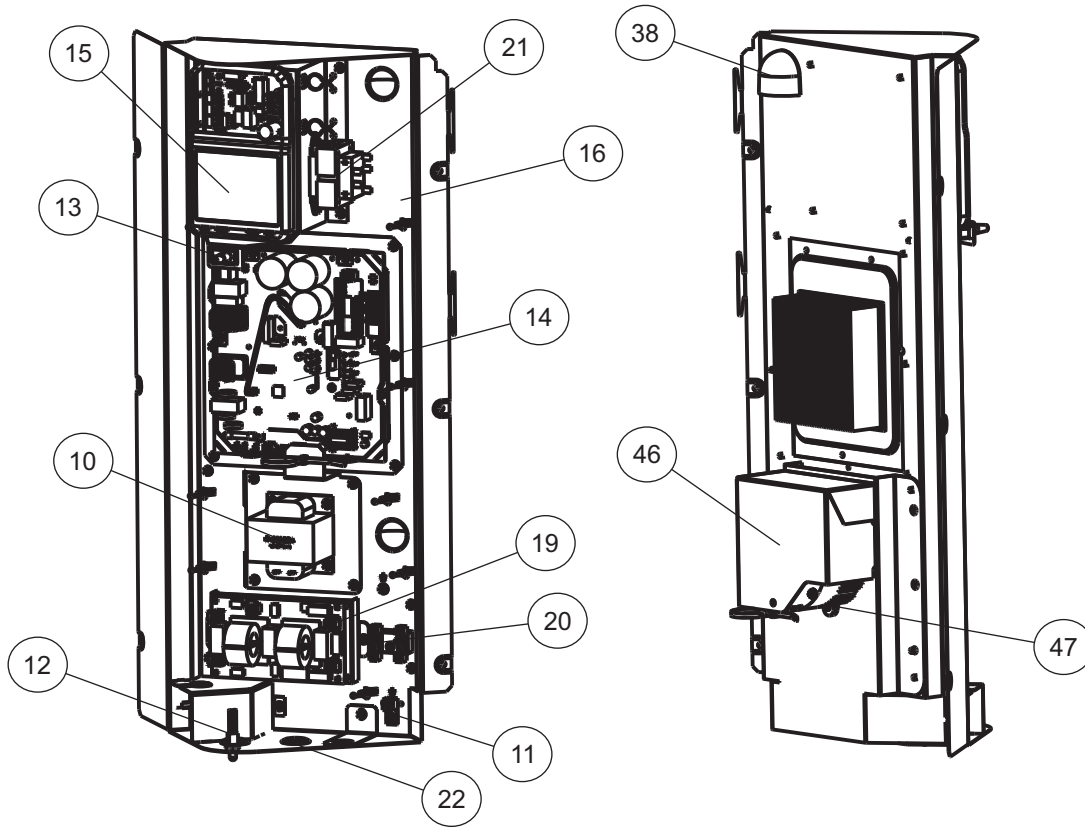
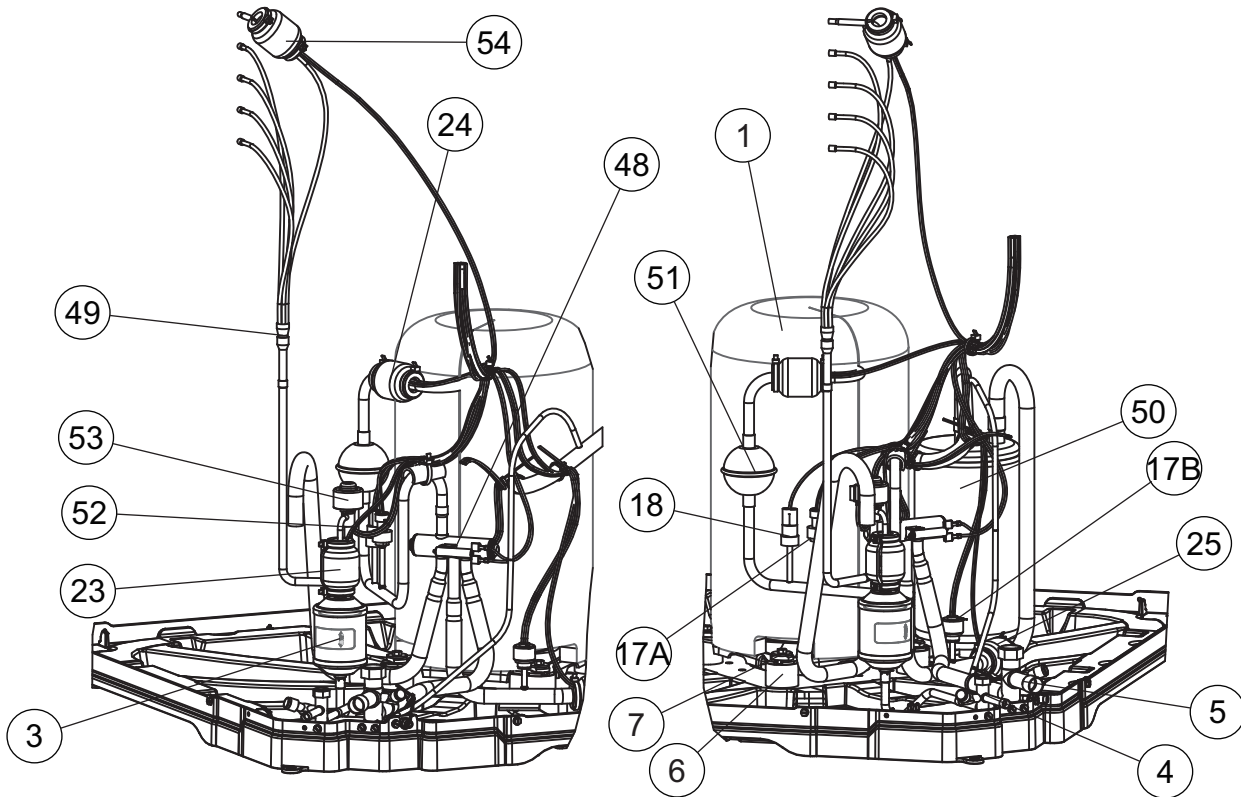


FIG 2\_ CONTROLS

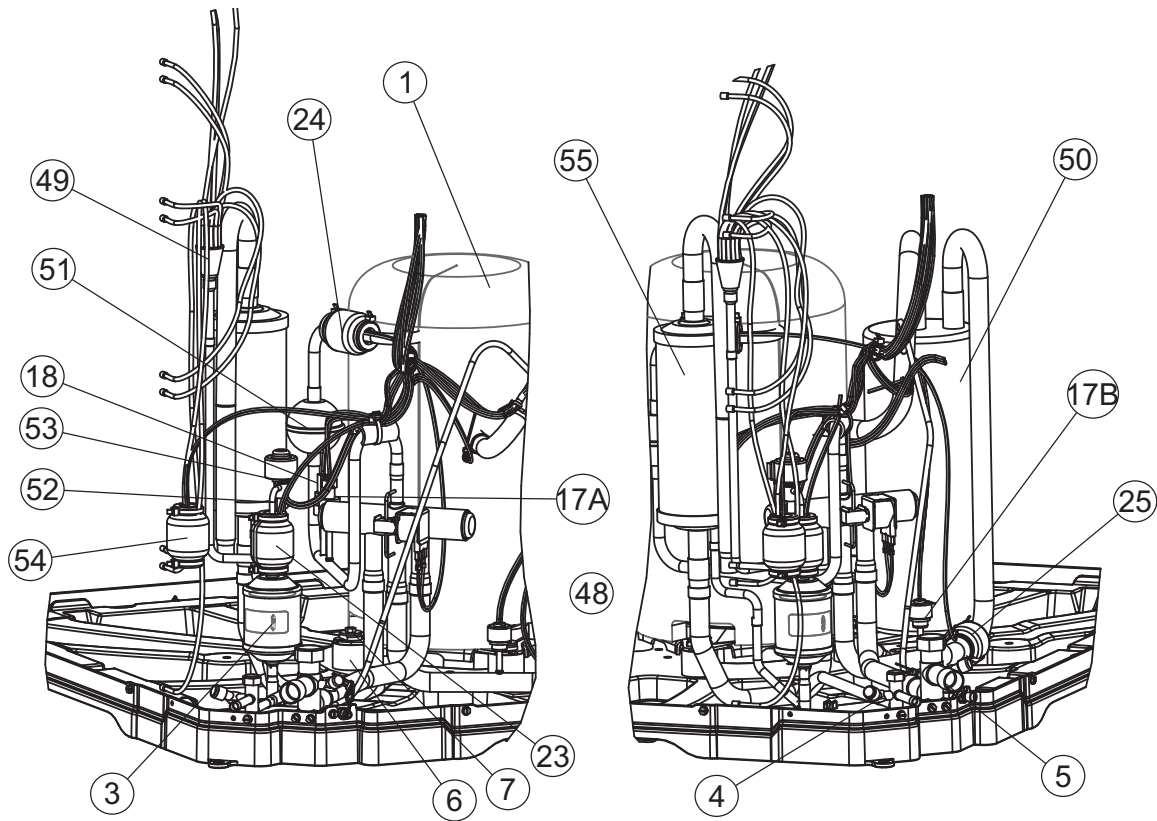


Items 23, 24, 25, and 54 are pointing to the insulation that covers the Temp. Sensors.

FIG 3\_ 2 TON REFRIGERATION SECTION

ITEM	DESCRIPTION	YZV24B21SA	YZV36B21SA	YZV48B21SA	YZV60B21SA
1	Compressor	S1-01504945004	S1-01504944004	S1-01504941004	S1-01504940004
2*	Blanket, Compressor	<b>S1-01008841000</b>	<b>S1-01008841000</b>	<b>S1-01008841000</b>	<b>S1-01008841000</b>
3	Filter Drier	<b>S1-32649682000</b>	<b>S1-32649682000</b>	<b>S1-32649682000</b>	<b>S1-32649682000</b>
4	Base Valve (3/8") (Liquid)	S1-02322459000	S1-02322459000	S1-02322459000	S1-02322459000
5	Base Valve (3/4") (Suction)	S1-02322460000	S1-02322460000	---	---
	Base Valve (7/8") (Suction)	---	---	S1-02322461000	S1-02322461000
6	Compressor Mount (4 Req'd)	S1-02810505000	S1-02810505000	S1-02810505000	S1-02810505000
7	Bolt, Compressor (4 Req'd)	S1-02118391000	S1-02118391000	S1-02118391000	S1-02118391000
8	Outdoor Coil Assembly	S1-37339421003	S1-37339421003	<b>S1-37339458004</b>	<b>S1-37339458003</b>
9	Molded Foam, Outdoor Coil	S1-02817070000	S1-02817070000	S1-02817074000	S1-02817074000
10	Reactor	<b>S1-02439557000</b>	<b>S1-02439555000</b>	<b>S1-02439555000</b>	<b>S1-02439556000</b>
11	Lug, Ground	S1-02521798000	S1-02521798000	S1-02521798000	S1-02521798000
12	Sensor, Ambient	S1-02549270000	S1-02549270000	S1-02549270000	S1-02549270000
13	Switch, Door	S1-02435738000	S1-02435738000	S1-02435738000	S1-02435738000
14	Inverter, Power	<b>S1-33103743000</b>	<b>S1-33103745000</b>	<b>S1-33103745000</b>	<b>S1-33103746000</b>
15	Board, Circuit	<b>S1-03103742000</b>	<b>S1-03103742000</b>	<b>S1-03103742000</b>	<b>S1-03103742000</b>
16	Panel, Control Box	<b>S1-07339467001</b>	<b>S1-07339467001</b>	<b>S1-07339467001</b>	<b>S1-07339467001</b>
17A	Transducer, Pressure, Discharge	<b>S1-02439559000</b>	<b>S1-02439559000</b>	<b>S1-02439559000</b>	<b>S1-02439559000</b>
17B	Transducer, Pressure, Suction	<b>S1-02439560000</b>	<b>S1-02439560000</b>	<b>S1-02439560000</b>	<b>S1-02439560000</b>
18	Switch, Pressure (High)	<b>S1-02439562000</b>	<b>S1-02439562000</b>	<b>S1-02439562000</b>	<b>S1-02439562000</b>
19	Filter, EMI, Single Phase	---	<b>S1-02439558000</b>	<b>S1-02439558000</b>	<b>S1-02439558000</b>
20	Block, Terminal	<b>S1-02549145000</b>	<b>S1-02549145000</b>	<b>S1-02549145000</b>	<b>S1-02549145000</b>
21	Transformer (208/240)	S1-02518452700	S1-02518452700	S1-02518452700	S1-02518452700
22	Plug, Seal (7/8")	S1-02815853000	S1-02815853000	S1-02815853000	S1-02815853000
23	Sensor, Temp (3/8" Clip)	<b>S1-02549147000</b>	<b>S1-02549147000</b>	<b>S1-02549147000</b>	<b>S1-02549147000</b>
24	Sensor, Temp (1/2" Clip)	<b>S1-02549148000</b>	<b>S1-02549148000</b>	<b>S1-02549148000</b>	---
	Sensor, Temp (5/8" Clip)	---	---	---	<b>S1-02549149000</b>
25	Sensor, Temp (3/4" Clip)	<b>S1-02549150000</b>	<b>S1-02549150000</b>	---	---
	Sensor, Temp (7/8" Clip)	---	---	<b>S1-02549151000</b>	<b>S1-02549151000</b>
26	Kit, Motor Mounting (Acorn Nuts)	S1-36390117700	S1-36390117700	S1-36390117700	S1-36390117700
27	Guard, Fan	<b>S1-02649685000</b>	<b>S1-02649685000</b>	<b>S1-02647763000</b>	<b>S1-02647763000</b>
28	Motor, Fan	<b>S1-02439551000</b>	<b>S1-02439552000</b>	<b>S1-02439553000</b>	<b>S1-02439553000</b>
29	Wireway	S1-02816469000	S1-02816469000	S1-02816470000	S1-02816470000
30	Blade, Fan	S1-02646980000	S1-02646984000	S1-02646981000	S1-02646981000
31	Top	<b>S1-07339469001</b>	<b>S1-07339469001</b>	<b>S1-07339469003</b>	<b>S1-07339469003</b>
32	Panel, Coil Guard (LH)	S1-07339398026	S1-07339398026	<b>S1-37339499005</b>	<b>S1-07339462004</b>
33	Panel, Coil Guard (RH)	S1-07339398024	S1-07339398024	<b>S1-37339499004</b>	<b>S1-07339462001</b>
34	Cover, Control Box	S1-07339461001	S1-07339461001	S1-07339461001	S1-07339461001
35	Panel, Block-Off	S1-07339437002	S1-07339437002	S1-07339399024	S1-07339399009
36	Post, Corner	<b>S1-07339466004</b>	<b>S1-07339466004</b>	<b>S1-07339466007</b>	<b>S1-07339466001</b>
37	Pan, Base	<b>S1-02817393000</b>	<b>S1-02817393000</b>	<b>S1-02817394000</b>	<b>S1-02817394000</b>
38	Gasket, Rain Hood	S1-02817106000	S1-02817106000	S1-02817106000	S1-02817106000
39	Mount, Stand-off, Coil Guard (2 Req'd)	S1-02817062000	S1-02817062000	S1-02817062000	S1-02817062000
40	Corner Badge, Snowflake	<b>S1-02817378000</b>	<b>S1-02817378000</b>	<b>S1-02817378000</b>	<b>S1-02817378000</b>
41	Cap Assy, Top	<b>S1-02817383000</b>	<b>S1-02817383000</b>	<b>S1-02817383000</b>	<b>S1-02817383000</b>
42	Badge, Branding, 4-Post	<b>S1-02817382000</b>	<b>S1-02817382000</b>	<b>S1-02817382000</b>	<b>S1-02817382000</b>
43	Badge, Branding, 3-Post	<b>S1-02817379000</b>	<b>S1-02817379000</b>	<b>S1-02817379000</b>	<b>S1-02817379000</b>
44	Panel, Screen Access	<b>S1-02649683000</b>	<b>S1-02649683000</b>	<b>S1-02649683000</b>	<b>S1-02649683000</b>
45	Gasket, Panel, Access Screen	<b>S1-02817389000</b>	<b>S1-02817389000</b>	<b>S1-02817389000</b>	<b>S1-02817389000</b>
46	Panel, Controller Shield	<b>S1-07339468001</b>	<b>S1-07339468001</b>	<b>S1-07339468001</b>	<b>S1-07339468001</b>
47	Controller, Motor	<b>S1-02439565000</b>	<b>S1-02439566000</b>	<b>S1-02439567000</b>	<b>S1-02439567000</b>
48	Valve, Reversing	<b>S1-02549269000</b>	<b>S1-02549268000</b>	<b>S1-02549267000</b>	<b>S1-02549267000</b>
49	Distributor	<b>S1-02213021000</b>	<b>S1-02213022000</b>	<b>S1-02213417000</b>	<b>S1-02213418000</b>
50	Tank, Accumulator	<b>S1-02625573001</b>	<b>S1-02625573001</b>	S1-02635434000	S1-02635434000
51	Muffler	<b>S1-02212983000</b>	<b>S1-02212983000</b>	<b>S1-02212983000</b>	<b>S1-02212983000</b>
52	Valve, EEV (Kit w/Liquid Line)	<b>S1-37339476001</b>	<b>S1-37339476002</b>	<b>S1-37339476003</b>	<b>S1-37339476004</b>
53	Coil, EEV	<b>S1-02547940000</b>	<b>S1-02547940000</b>	<b>S1-02547940000</b>	<b>S1-02547940000</b>
54	Sensor, Defrost Thermistor	<b>S1-02547281000</b>	<b>S1-02547281000</b>	<b>S1-02547281000</b>	<b>S1-02547281000</b>
55	Compensator, Charge	---	S1-02635433000	S1-02635434000	S1-02635434000

**NOTE:** \*Not Shown  
New replacement parts shown in **bold** face type at the first printing of parts list dated 4/17.  
Major components and suggested stocking items are shown with shaded item number.  
"←" Across from row indicates a change in that row. Changed part number are in red.  
--- Not applicable to specified model.



Items 23, 24, 25, and 54 are pointing to the insulation that covers the Temp. Sensors.

**FIG 4\_ 3, 4, AND 5 TON REFRIGERATION SECTION**

ITEM	DESCRIPTION	YZV24B21SA	YZV36B21SA	YZV48B21SA	YZV60B21SA
62*	Harness, Reversing Valve	<b>S1-02549272000</b>	<b>S1-02549272000</b>	<b>S1-02549272000</b>	<b>S1-02549272000</b>
63*	Harness, Compressor, 3.3-5.5 KW	<b>S1-02549252000</b>	<b>S1-02549252000</b>	<b>S1-02549252000</b>	<b>S1-02549252000</b>
64*	Harness, Power Inverter, Input	<b>S1-02549259000</b>	<b>S1-02549259000</b>	<b>S1-02549259000</b>	<b>S1-02549259000</b>
65*	Harness, Power, Transformer	<b>S1-02549257000</b>	<b>S1-02549257000</b>	<b>S1-02549257000</b>	<b>S1-02549257000</b>
66*	Harness, Comm, Inverter Input	<b>S1-02549253000</b>	<b>S1-02549253000</b>	<b>S1-02549253000</b>	<b>S1-02549253000</b>
67*	Harness, Power, Control Board	<b>S1-02549258000</b>	<b>S1-02549258000</b>	<b>S1-02549258000</b>	<b>S1-02549258000</b>
68*	Harness, Comm, Control Input	<b>S1-02549260000</b>	<b>S1-02549260000</b>	<b>S1-02549260000</b>	<b>S1-02549260000</b>
69*	Harness, Pressure Inducer, High	<b>S1-02549261000</b>	<b>S1-02549261000</b>	<b>S1-02549261000</b>	<b>S1-02549261000</b>
70*	Harness, Pressure Inducer, Low	<b>S1-02549262000</b>	<b>S1-02549262000</b>	<b>S1-02549262000</b>	<b>S1-02549262000</b>
71*	Harness, Reactor, 3.3 KW	<b>S1-02549254000</b>	<b>S1-02549254000</b>	<b>S1-02549254000</b>	<b>S1-02549254000</b>
72*	Strap, Cable	S1-02509607000	S1-02509607000	S1-02509607000	S1-02509607000
73*	Wiring Diagram	5295812	5295812	5295812	5295812

**NOTE:** \*Not Shown  
 New replacement parts shown in **bold** face type at the first printing of parts list dated 4/17.  
 Major components and suggested stocking items are shown with shaded item number.  
 "<" Across from row indicates a change in that row. Changed part number are in red.  
 --- Not applicable to specified model.

**TO ORDER AUTHORIZED FACTORY REPLACEMENT PARTS** - Contact your Source1 HVAC Parts Distributor or visit our website at [www.Source1Parts.com](http://www.Source1Parts.com) for a Distributor and Dealer listing.